



WORKSHEET ES-3

Direct phonological awareness

Aims and objectives: favour memory, attention and visual discrimination in order to help learning reading.

Activity 1 Find the hidden word

Individual Activity/Age Group: 7-11 years old

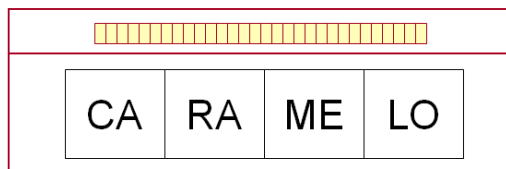
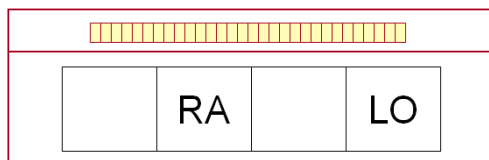
Time: 20 minutes

Rules:

- 1) The teacher gives an interactive document in the computer with different slides.
- 2) The student has to complete the blanks with syllables to find the hidden word –which is one of the pictures below.

Materials required: one PC for each student.

A sample:



Activity 2 Identify and order syllables

Group Activity/Age Group: 7-11 years old

Time: 20 minutes

Rules:

- 1) The teacher gives an interactive document in the computer with different slides.
- 2) (It comes after the former activity.) The student has to identify if a given syllable is part of the word showed in the picture.
- 3) Place the syllable where it fits.

Materials required: one PC for each student.

A sample:

The image shows three sequential stages of a reading task, each contained within a vertical frame. Each stage consists of the following elements from top to bottom:

- A colorful candy icon.
- A progress bar with 15 small red squares.
- A horizontal grid of four empty rectangular boxes.
- A label box containing a two-letter code and a right-pointing arrow.

Stage 1: The label box contains the letters "LO".

Stage 2: The label box contains the letters "GA". The rightmost box of the grid now contains the letters "LO".

Stage 3: The label box contains the letters "DA". The rightmost box of the grid now contains the letters "LO".



			LO

RA	
----	--



	RA		LO

CA	
----	--



CA	RA		LO

NE	
----	--

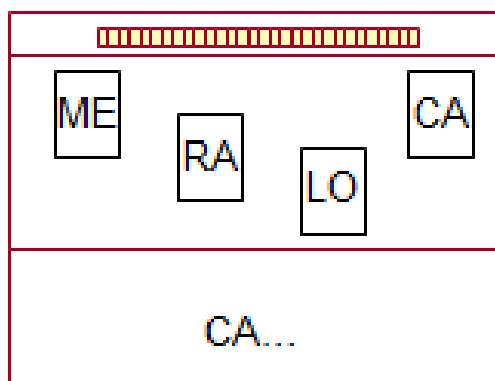
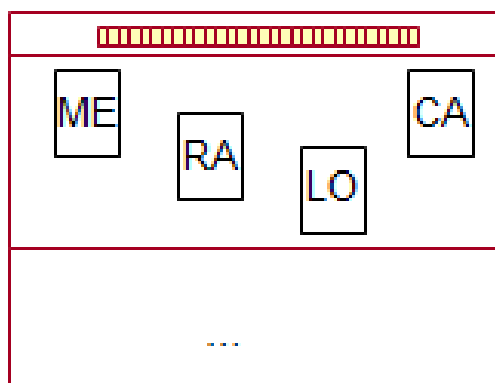
Activity 3 Order syllables and form a word

Individual activity/Age Group: 7-11 years old **Time:** 20 minutes

Rules: 1) The teacher gives an interactive document in the computer with different slides.
 2) The student has to order syllables to form a word.

Materials required: one PC for every student.

A sample:



ME

RA

LO

CA

CARA...

ME

RA

LO

CA


CARAME...

ME

RA

LO

CA



CARAMELO

▶

Activity 4 **Separate in syllables**

Individual activity/Age Group: 7-11 years old **Time:** 20 minutes

- Rules:**
- 1) The teacher gives an interactive document in the computer with different slides.
 - 2) The student has to separate the words in different syllables.

Materials required: one PC for every student.

A sample:

